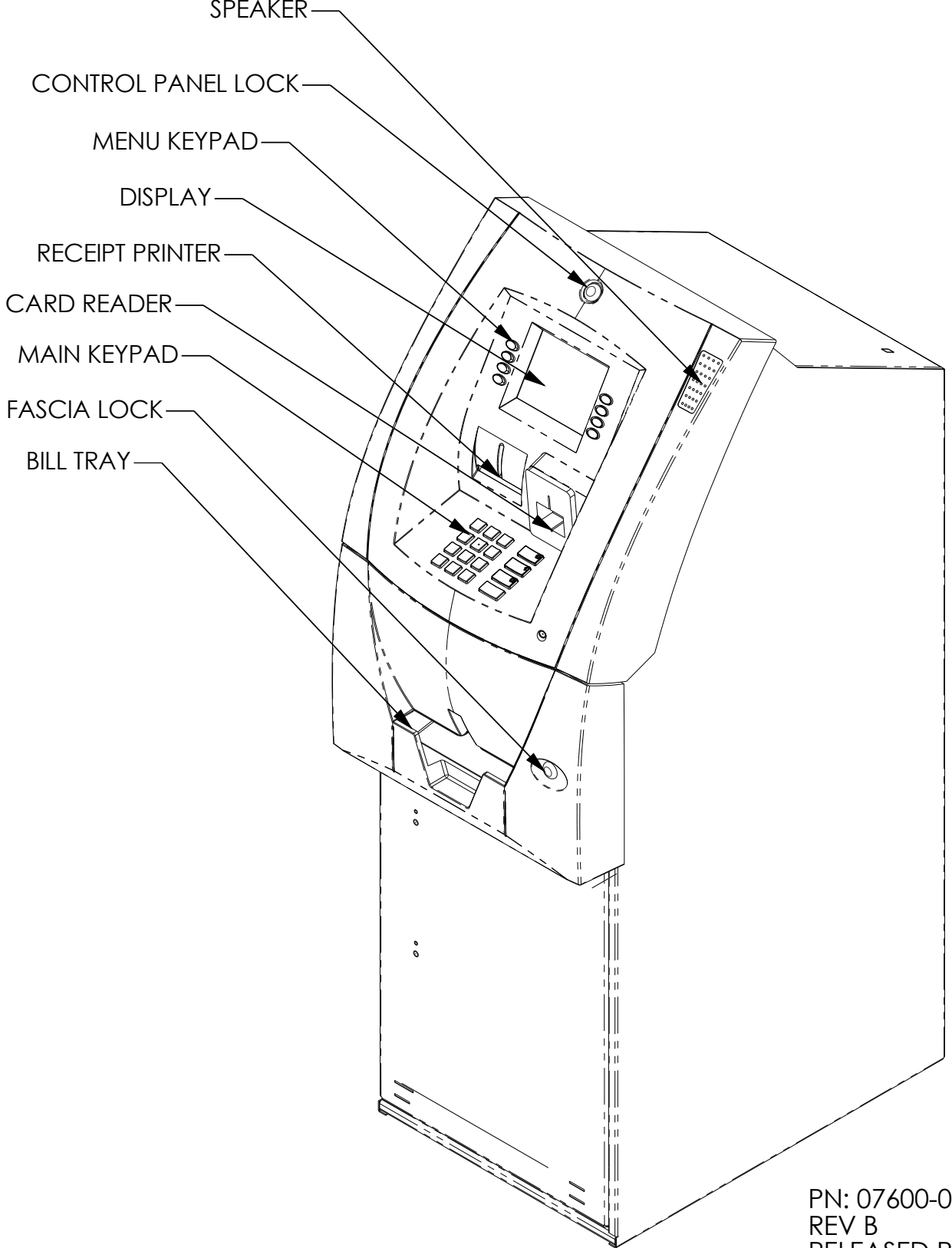
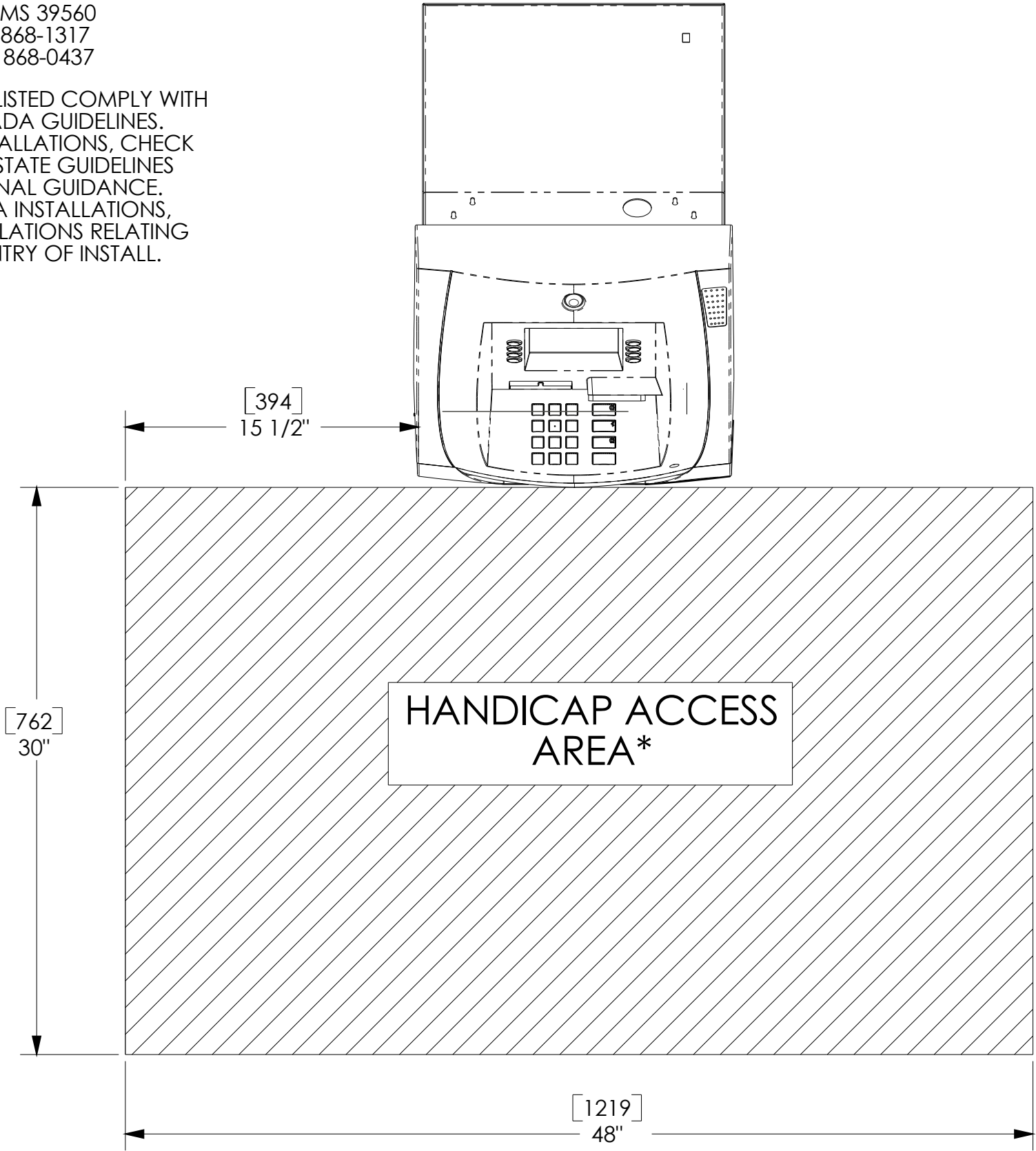




# TRITON MODEL 9100 WITH SDD CASH DISPENSER

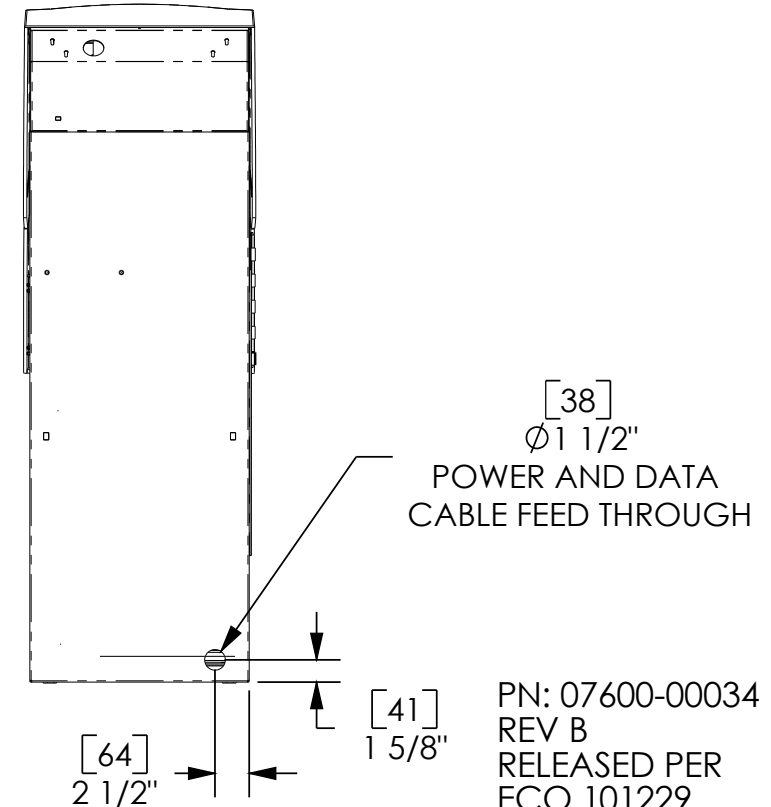
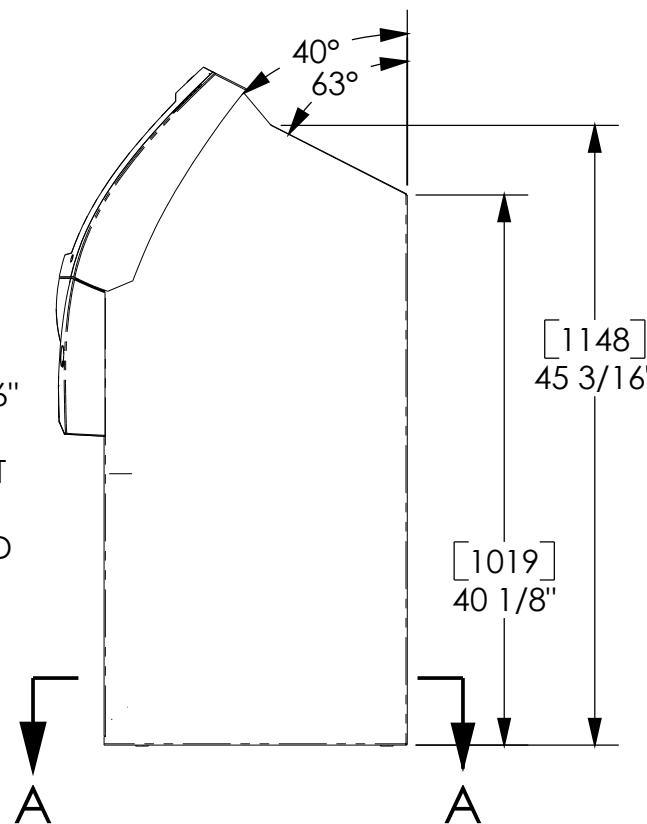
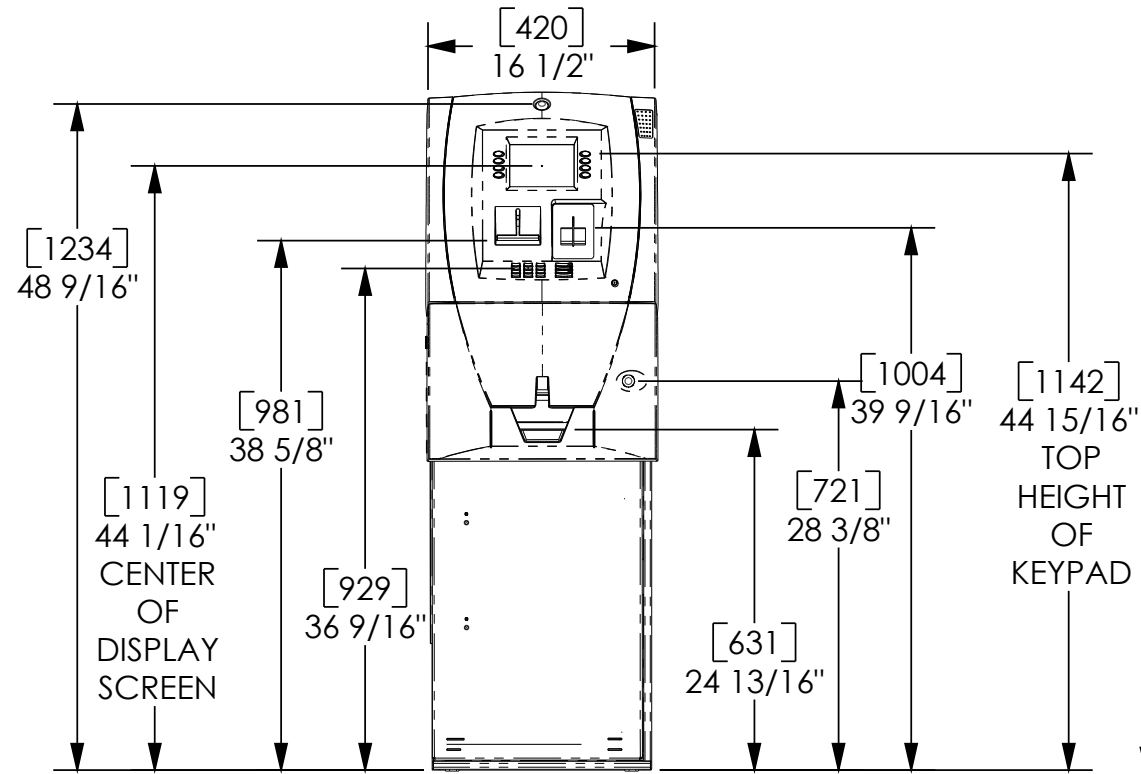
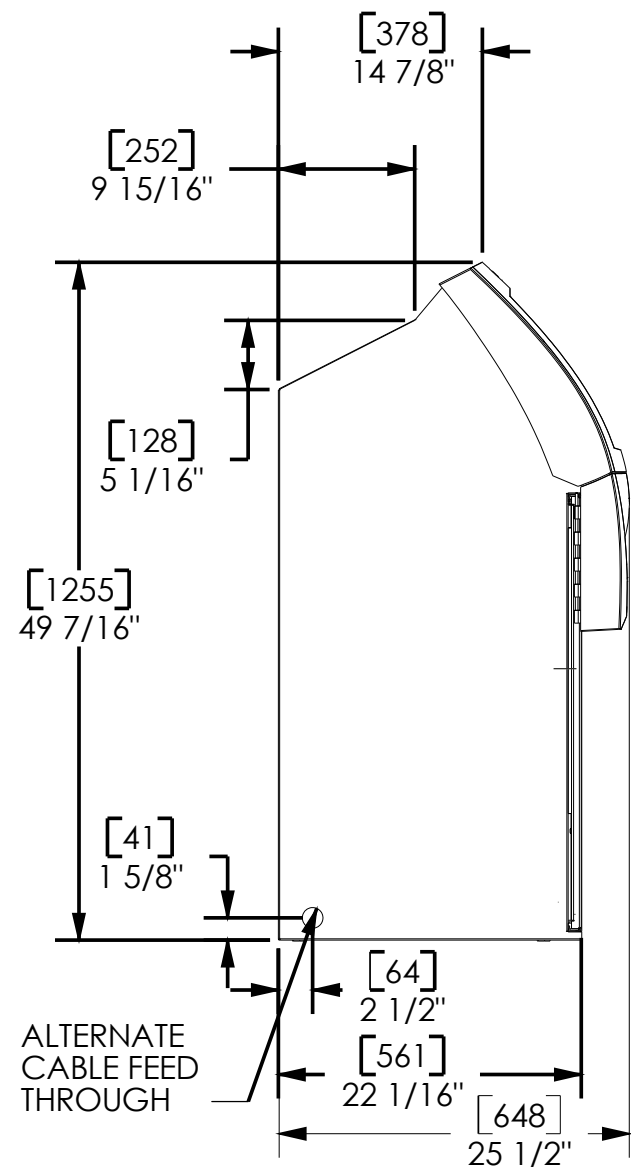
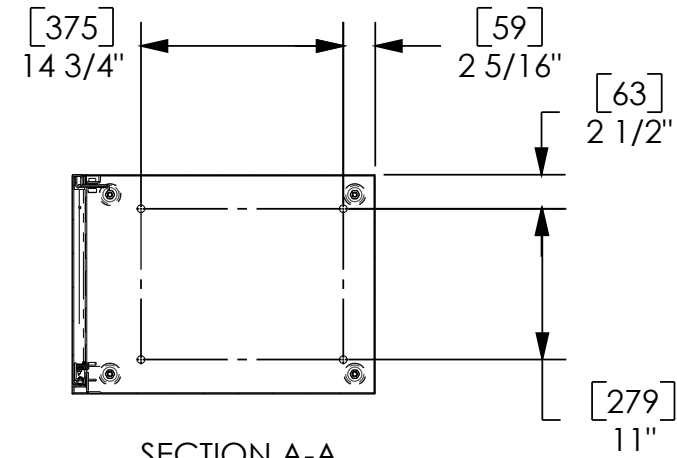
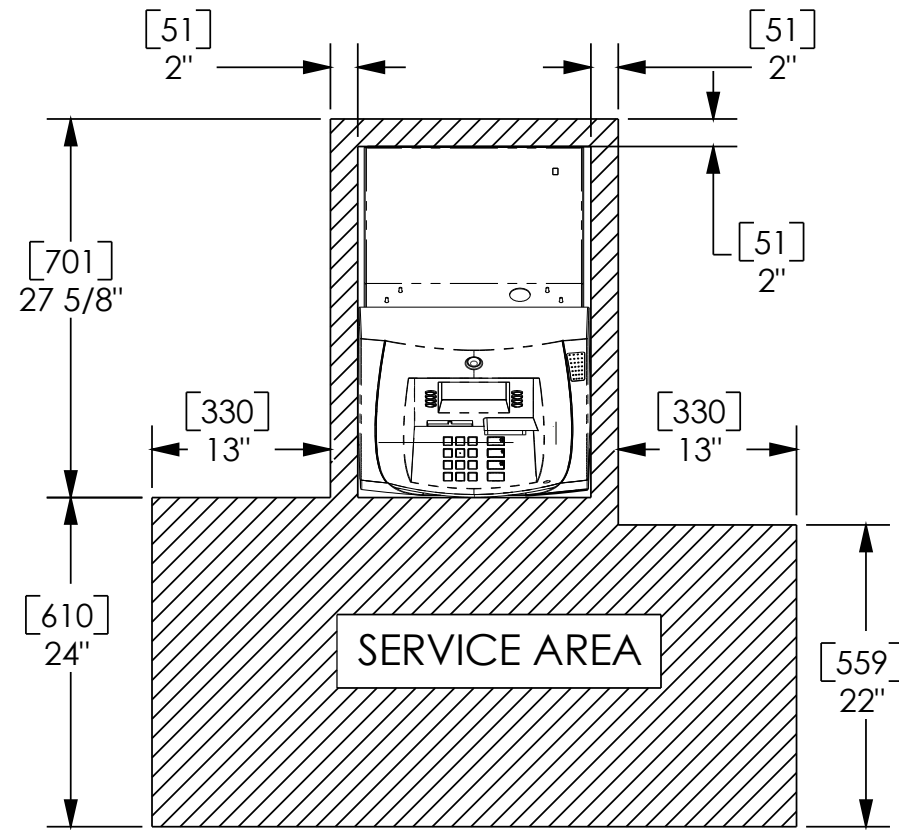
522 EAST RAILROAD STREET  
LONG BEACH, MS 39560  
PHONE: (228) 868-1317  
FAX: (228) 868-0437

\* DIMENSIONS LISTED COMPLY WITH US FEDERAL ADA GUIDELINES. FOR USA INSTALLATIONS, CHECK LOCAL AND STATE GUIDELINES FOR ADDITIONAL GUIDANCE. FOR NON-USA INSTALLATIONS, CHECK REGULATIONS RELATING TO THE COUNTRY OF INSTALL.



# TRITON MODEL 9100 WITH SDD CASH DISPENSER

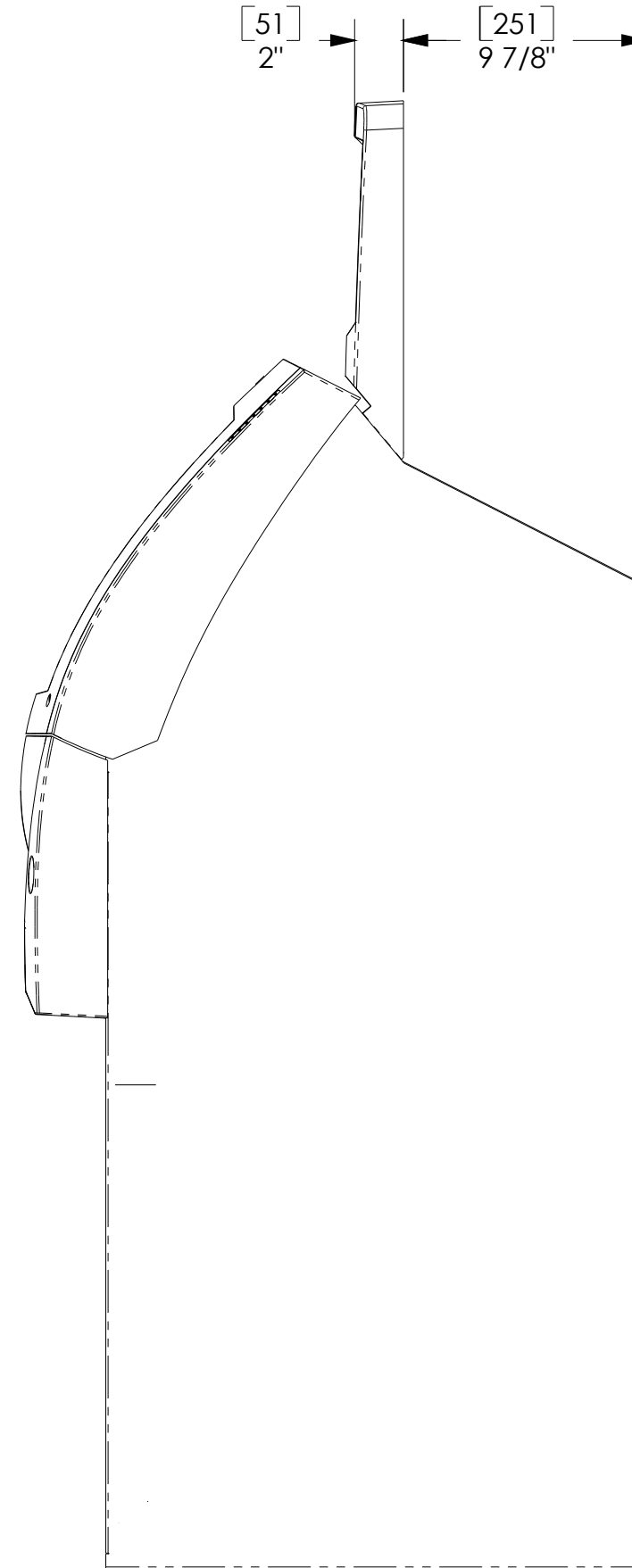
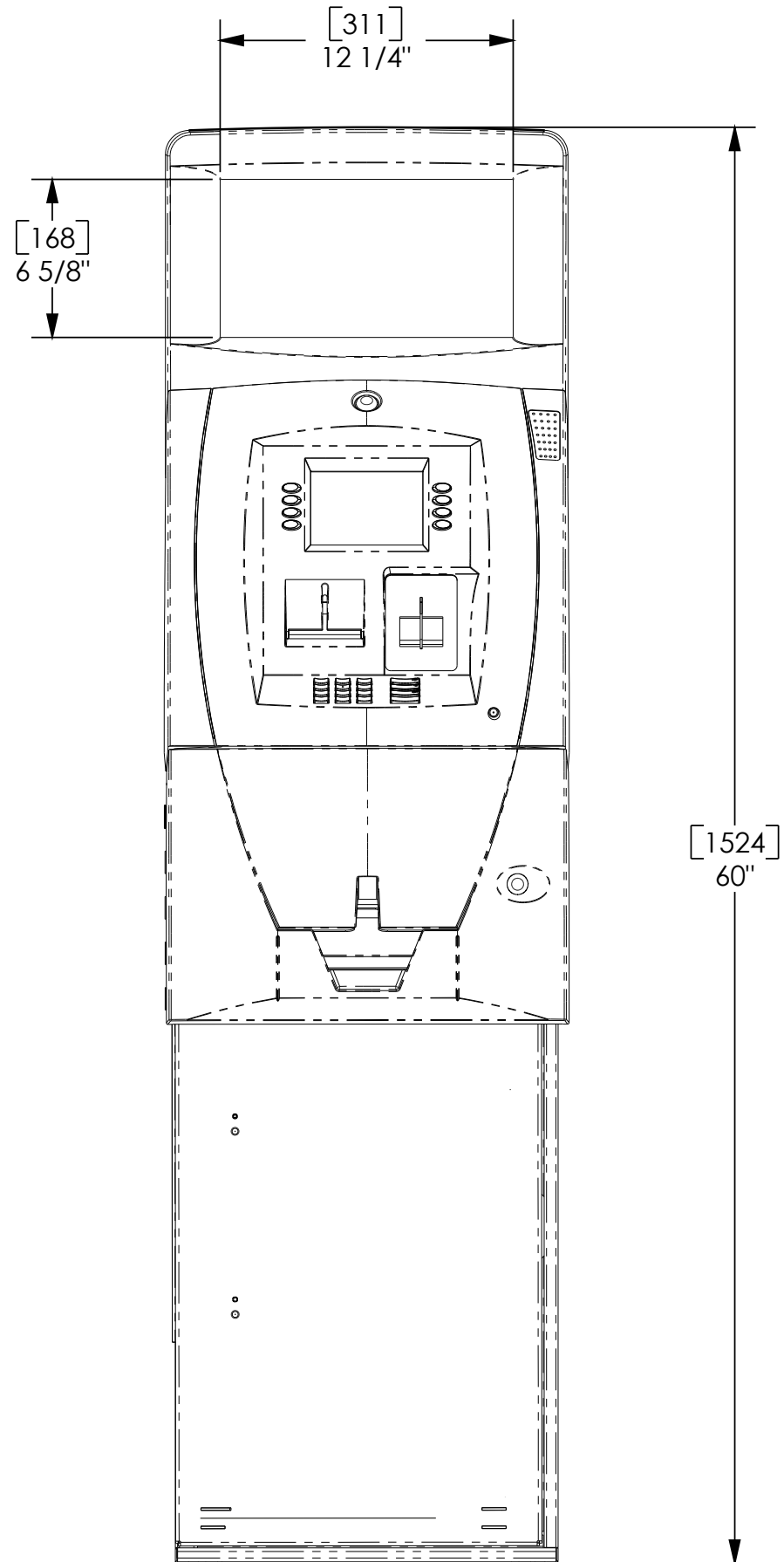
522 EAST RAILROAD STREET  
 LONG BEACH, MS 39560  
 PHONE: (228) 868-1317  
 FAX: (228) 868-0437





# TRITON MODEL 9100 WITH SDD CASH DISPENSER

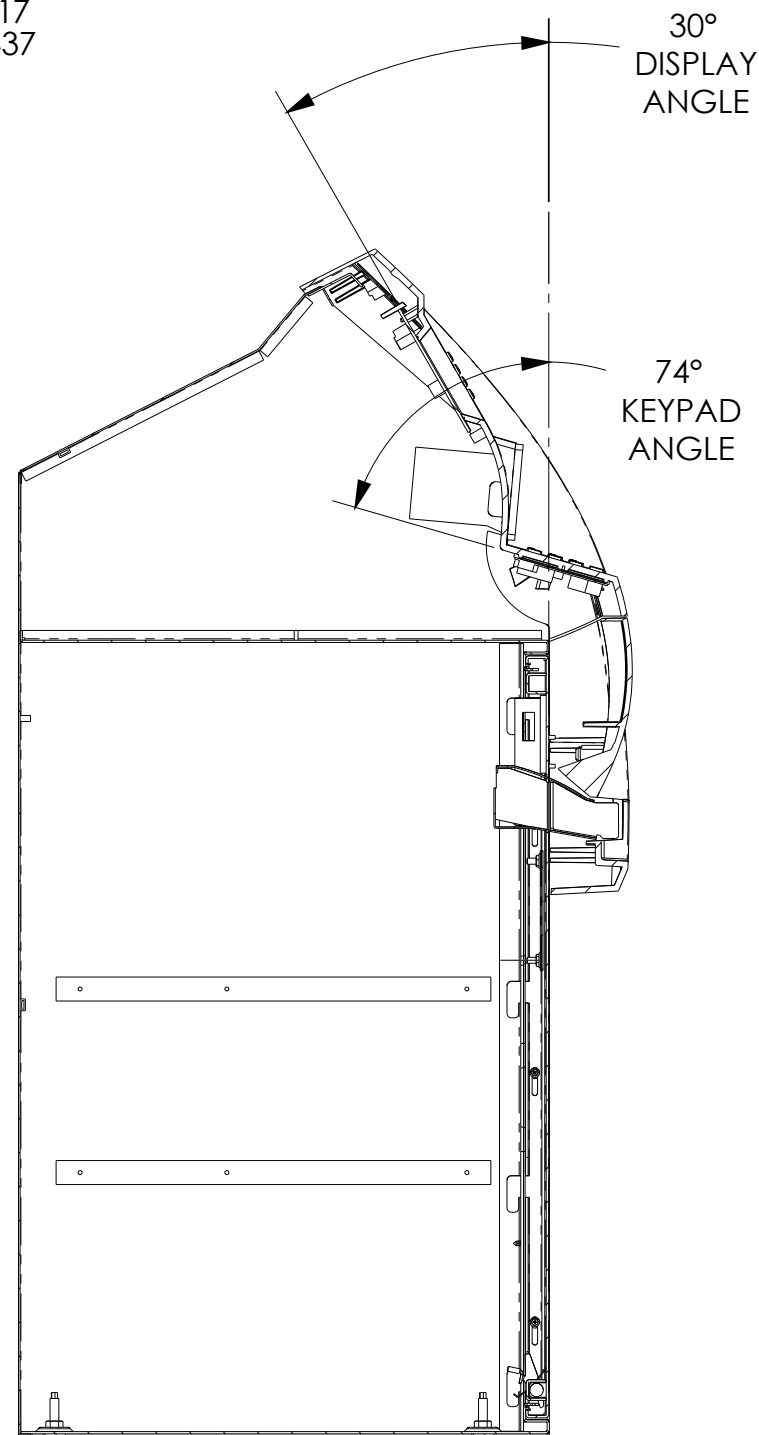
522 EAST RAILROAD STREET  
LONG BEACH, MS 39560  
PHONE: (228) 868-1317  
FAX: (228) 868-0437





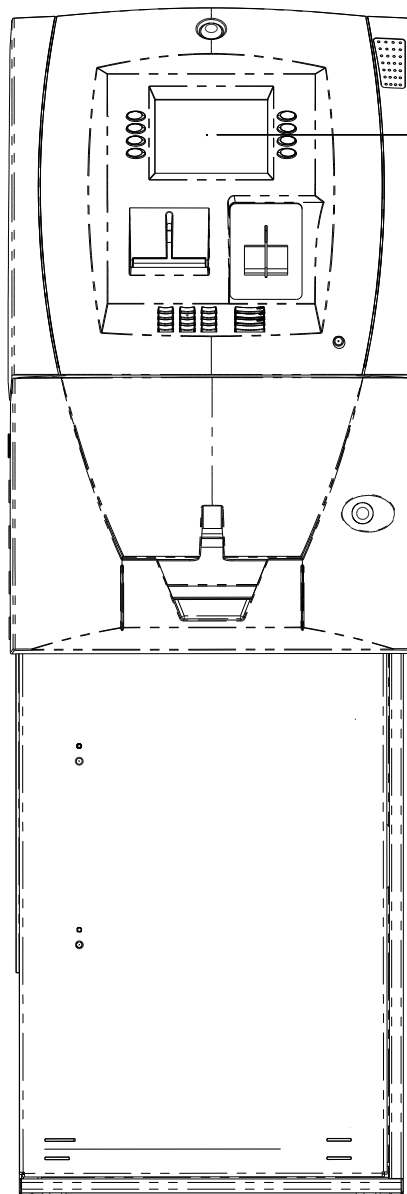
# TRITON MODEL 9100 WITH SDD CASH DISPENSER

522 EAST RAILROAD STREET  
LONG BEACH, MS 39560  
PHONE: (228) 868-1317  
FAX: (228) 868-0437



SECTION F-F

D ← | → F

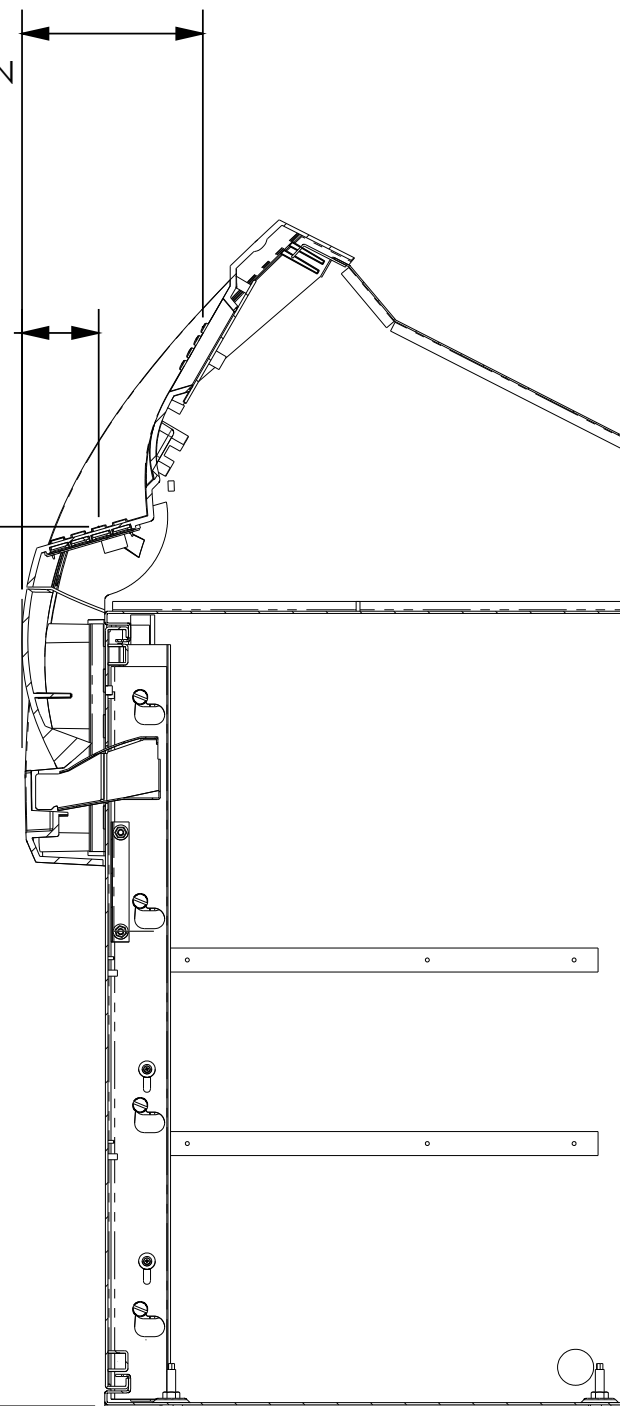


D ← | → F

[191]  
7 9/16"  
DEPTH OF  
TOP SCREEN  
BUTTON

[81]  
3 3/16"  
DEPTH OF  
NUMBER 5  
KEY

[931]  
36 5/8"  
HEIGHT OF  
NUMBER 5  
KEY



SECTION D-D