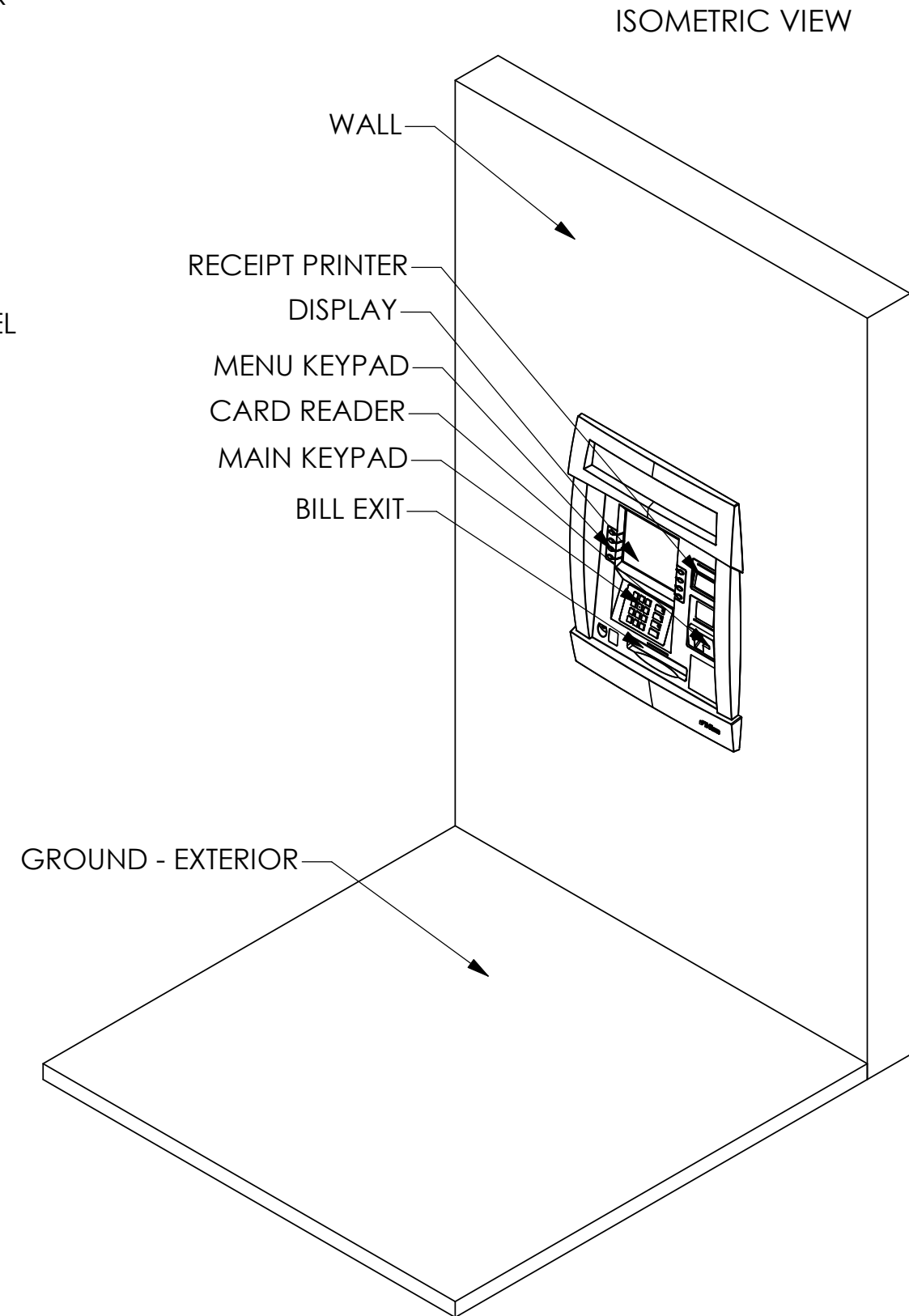
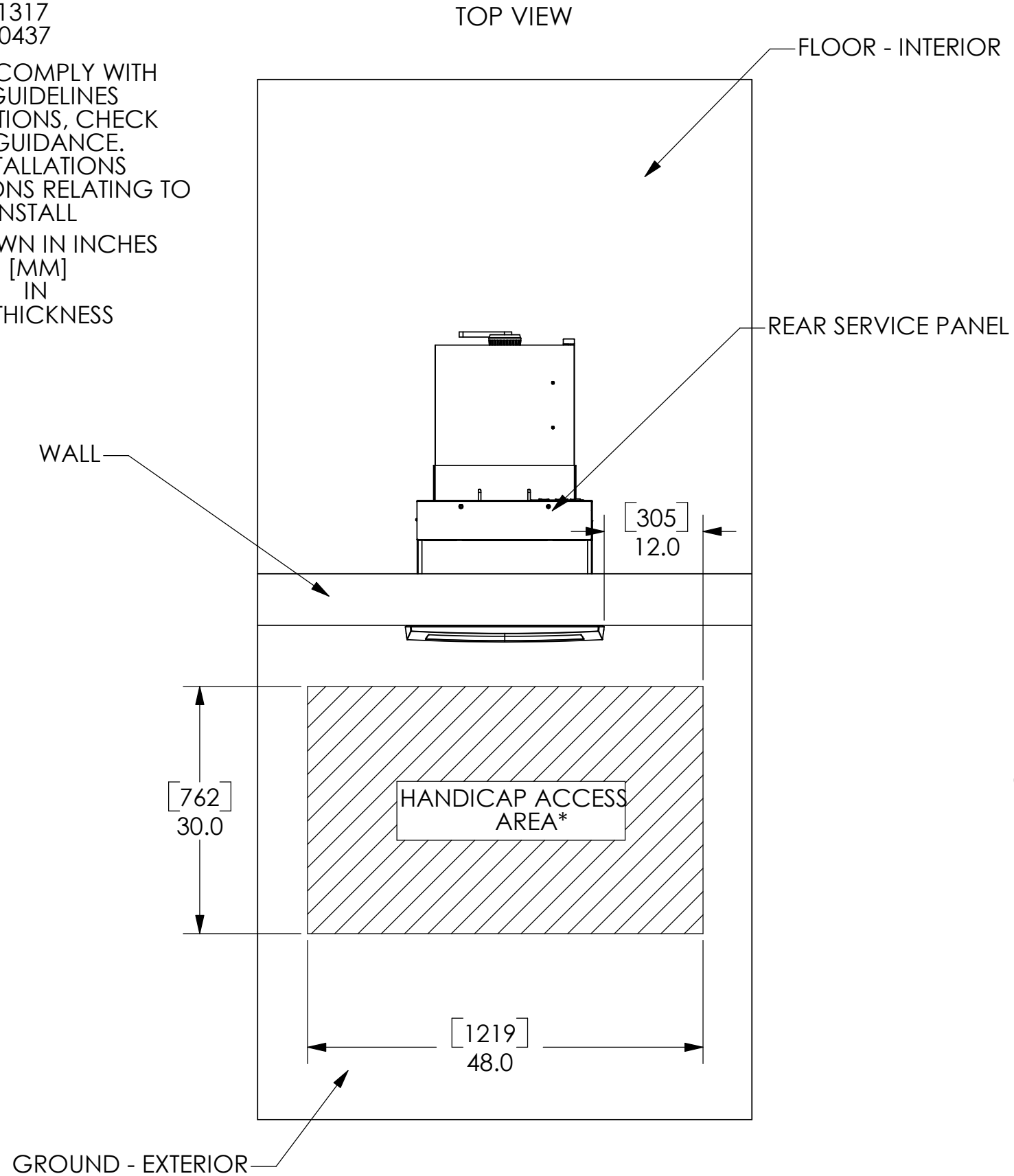


TRITON MODEL FT5000 ISLAND LEVEL 1 CASH DISPENSER

522 EAST RAILROAD STREET
 LONG BEACH, MS 39560
 PHONE: (228) 868-1317
 FAX: (228) 868-0437

*DIMENSIONS LISTED COMPLY WITH US FEDERAL ADA GUIDELINES FOR USA INSTALLATIONS, CHECK FOR ADDITIONAL GUIDANCE. FOR NON-USA INSTALLATIONS CHECK REGULATIONS RELATING TO THE COUNTRY OF INSTALL

DIMENSIONS SHOWN IN INCHES AND MILLIMETERS [MM]
 IN
 MAXIMUM WALL THICKNESS 6.3 IN. [159 MM]





TRITON MODEL FT5000 ISLAND LEVEL 1 CASH DISPENSER

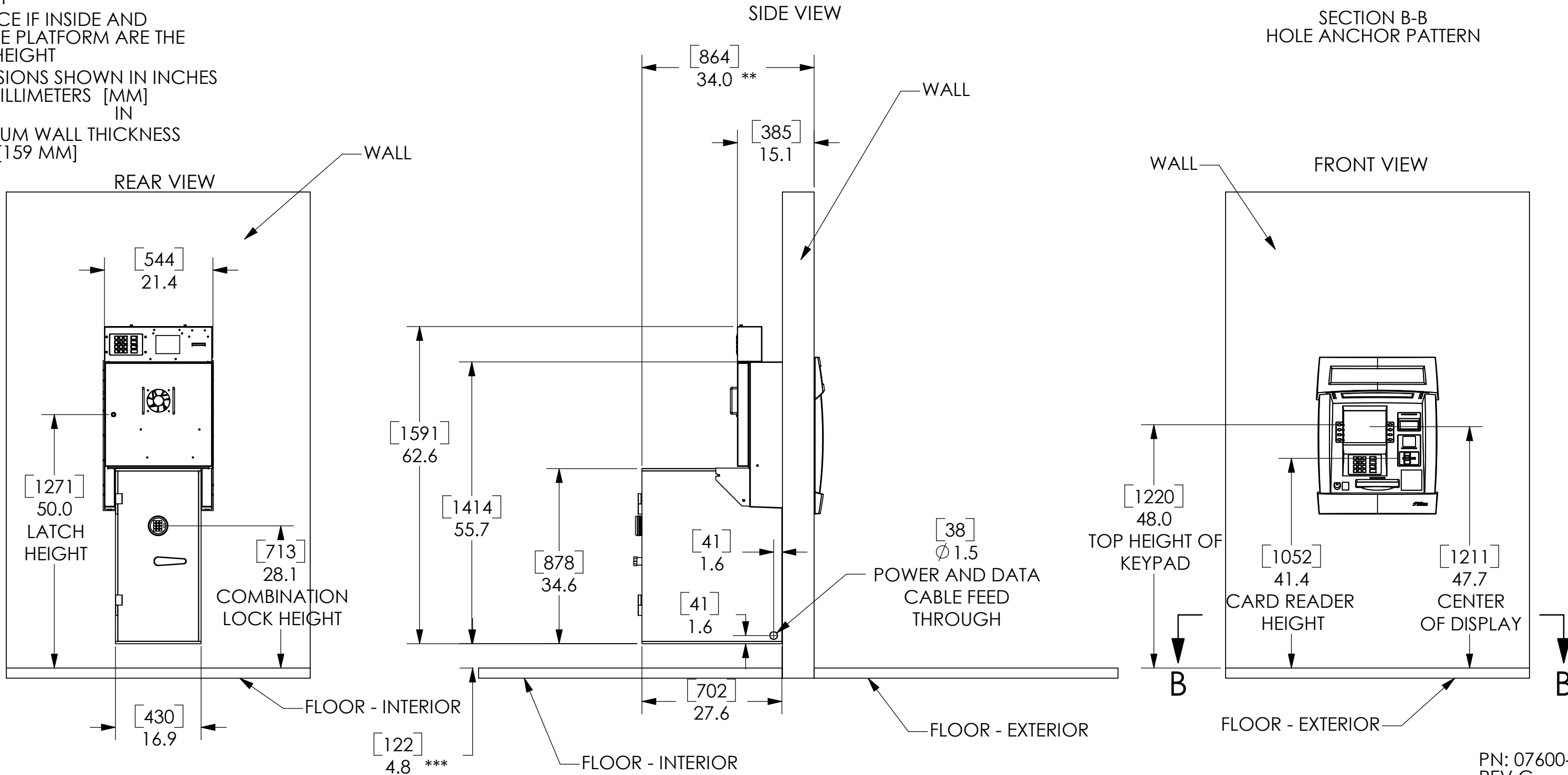
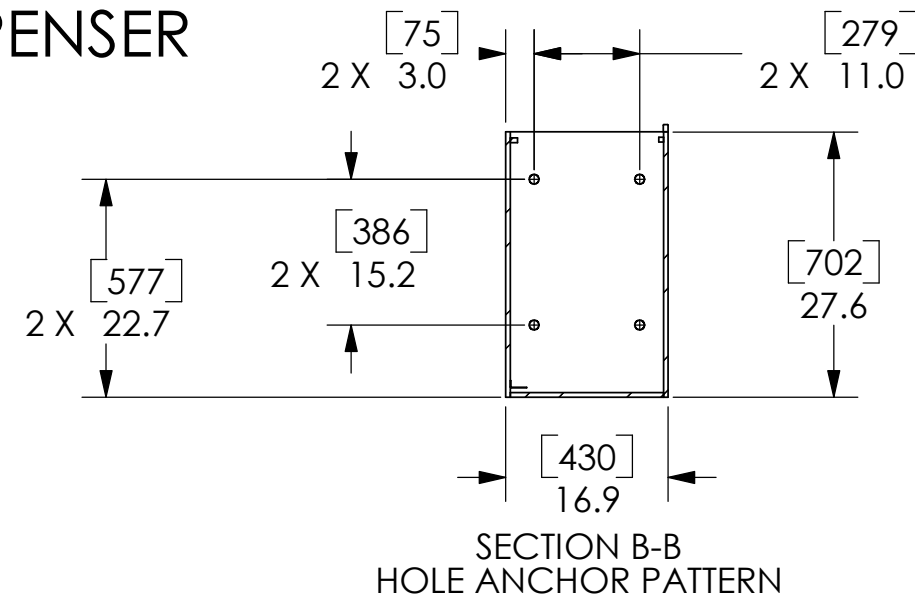
522 EAST RAILROAD STREET
 LONG BEACH, MS 39560
 PHONE: (228) 868-1317
 FAX: (228) 868-0437

**SUBTRACT THICKNESS OF THE WALL TO DETERMINE DISTANCE FROM THE INSIDE WALL TO THE BACK OF THE CABINET

***DISTANCE IF INSIDE AND OUTSIDE PLATFORM ARE THE SAME HEIGHT

DIMENSIONS SHOWN IN INCHES AND MILLIMETERS [MM]
 IN

MAXIMUM WALL THICKNESS 6.3 IN. [159 MM]



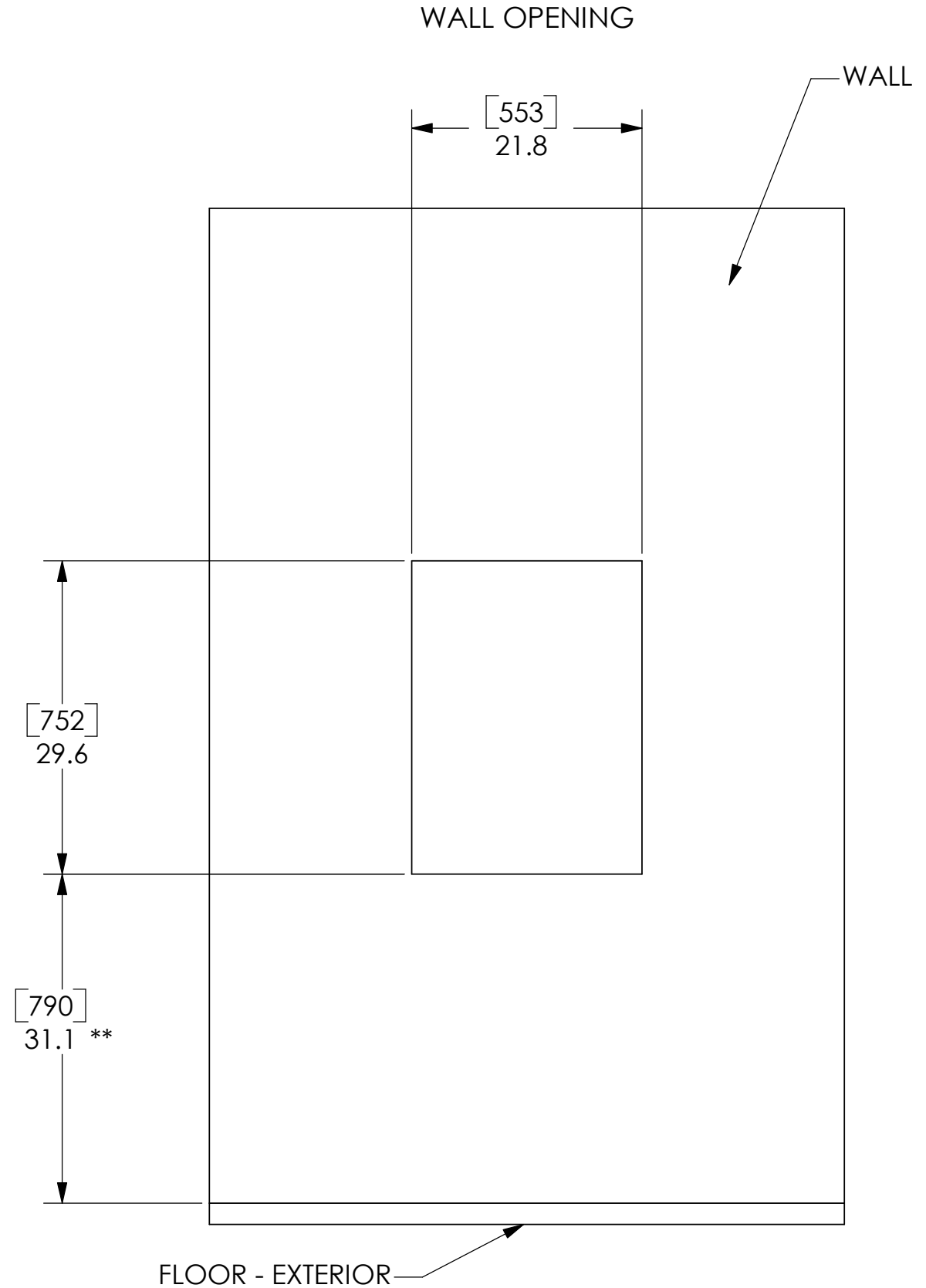
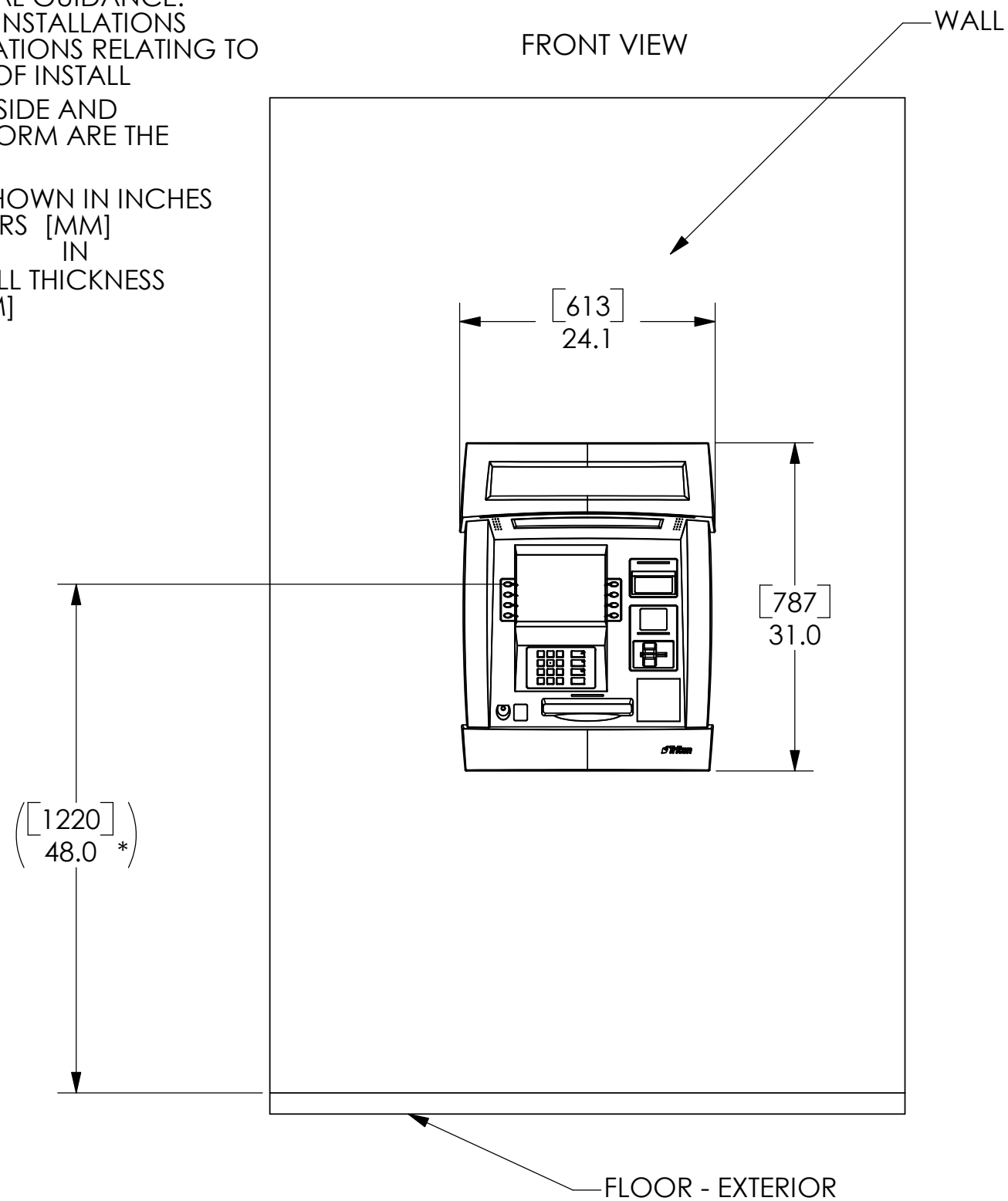
TRITON MODEL FT5000 ISLAND LEVEL 1 CASH DISPENSER

522 EAST RAILROAD STREET
 LONG BEACH, MS 39560
 PHONE: (228) 868-1317
 FAX: (228) 868-0437

*DIMENSIONS LISTED COMPLY WITH
 US FEDERAL ADA GUIDELINES
 FOR USA INSTALLATIONS, CHECK
 FOR ADDITIONAL GUIDANCE.
 FOR NON-USA INSTALLATIONS
 CHECK REGULATIONS RELATING TO
 THE COUNTRY OF INSTALL

**DISTANCE IF INSIDE AND
 OUTSIDE PLATFORM ARE THE
 SAME HEIGHT

DIMENSIONS SHOWN IN INCHES
 AND MILLIMETERS [MM]
 IN
 MAXIMUM WALL THICKNESS
 6.3 IN. [159 MM]



TRITON MODEL FT5000 ISLAND LEVEL 1 CASH DISPENSER

522 EAST RAILROAD STREET
 LONG BEACH, MS 39560
 PHONE: (228) 868-1317
 FAX: (228) 868-0437

 -- INDICATES SERVICE AREA

* SUBTRACT WALL THICKNESS TO
 FIND DIMENSION TO INSIDE SURFACE OF WALL
 DIMENSIONS SHOWN IN INCHES
 AND MILLIMETERS [MM]

IN
 MAXIMUM WALL THICKNESS
 6.3 IN. [159 MM]

