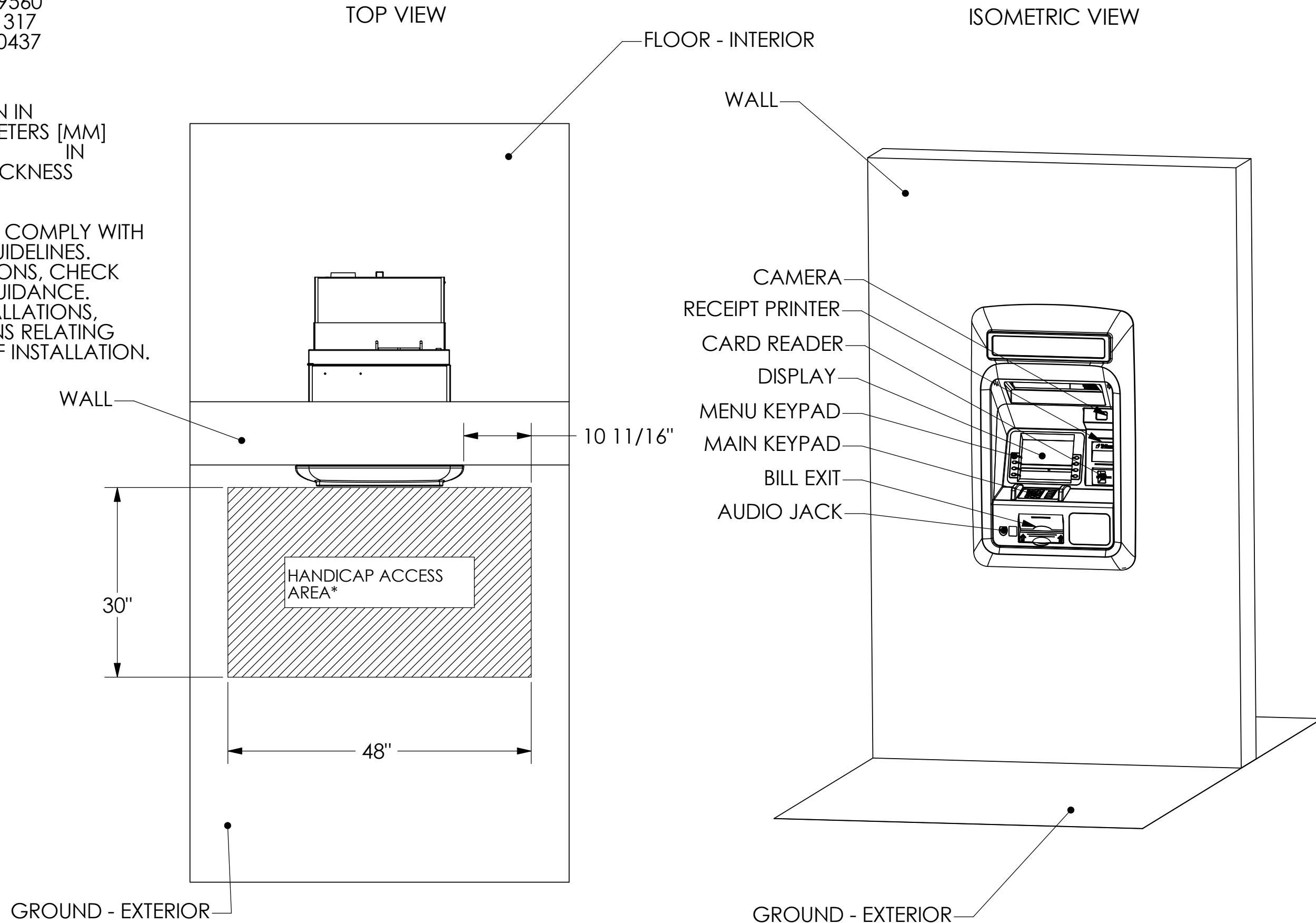


TRITON MODEL RT2000 BUSINESS HOURS CASH DISPENSER US FEDERAL ADA INSTALLATION GUIDELINES

522 EAST RAILROAD STREET
 LONG BEACH, MS 39560
 PHONE: (228) 868-1317
 FAX: (228) 868-0437

DIMENSIONS SHOWN IN
 INCHES AND MILLIMETERS [MM]
 IN
 MAXIMUM WALL THICKNESS
 11.5 IN. [279 MM]

*DIMENSIONS LISTED COMPLY WITH
 US FEDERAL ADA GUIDELINES.
 FOR USA INSTALLATIONS, CHECK
 FOR ADDITIONAL GUIDANCE.
 FOR NON-USA INSTALLATIONS,
 CHECK REGULATIONS RELATING
 TO THE COUNTRY OF INSTALLATION.

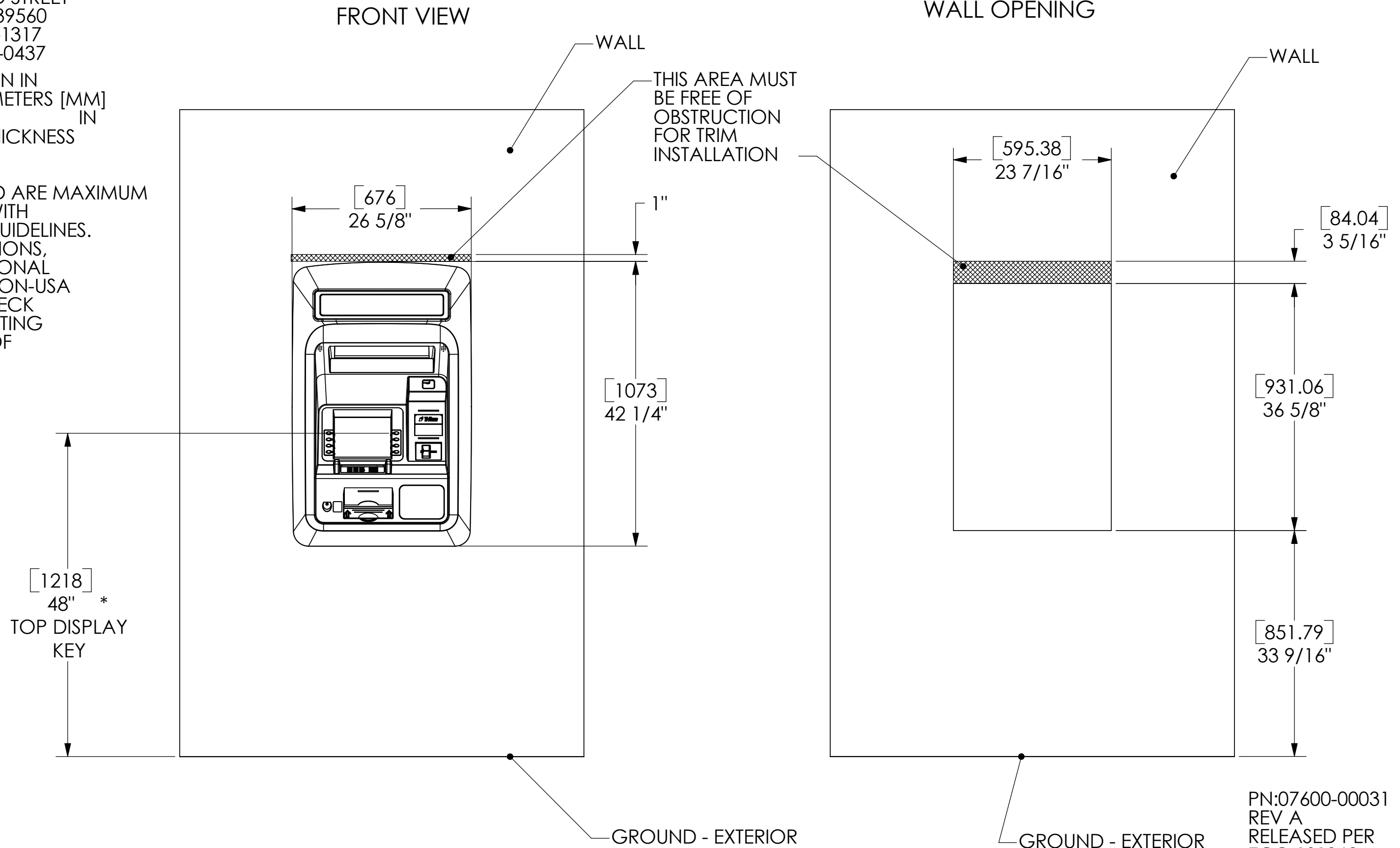


TRITON MODEL RT2000 BUSINESS HOURS CASH DISPENSER US FEDERAL ADA INSTALLATION GUIDELINES

522 EAST RAILROAD STREET
 LONG BEACH, MS 39560
 PHONE: (228) 868-1317
 FAX: (228) 868-0437

DIMENSIONS SHOWN IN
 INCHES AND MILLIMETERS [MM]
 IN
 MAXIMUM WALL THICKNESS
 11.5 IN. [279]

*DIMENSIONS LISTED ARE MAXIMUM
 WHICH COMPLY WITH
 US FEDERAL ADA GUIDELINES.
 FOR USA INSTALLATIONS,
 CHECK FOR ADDITIONAL
 GUIDANCE. FOR NON-USA
 INSTALLATIONS, CHECK
 REGULATIONS RELATING
 TO THE COUNTRY OF
 INSTALLATION.

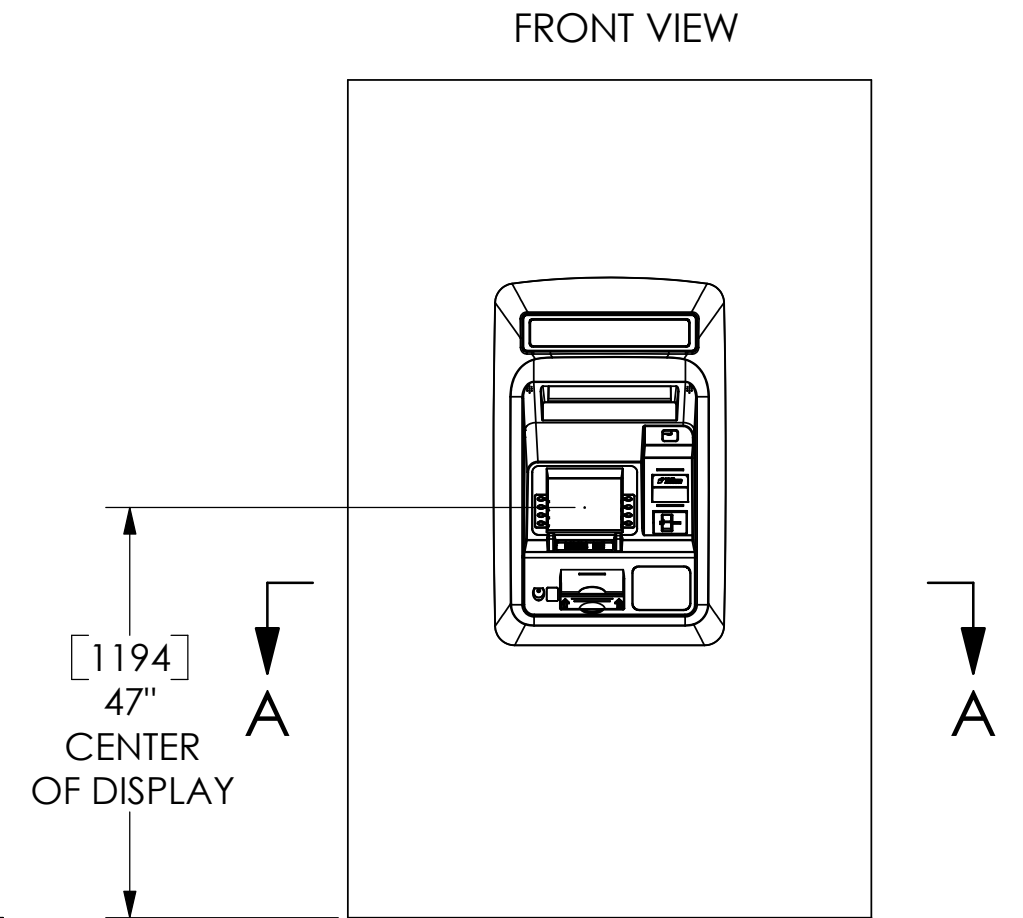
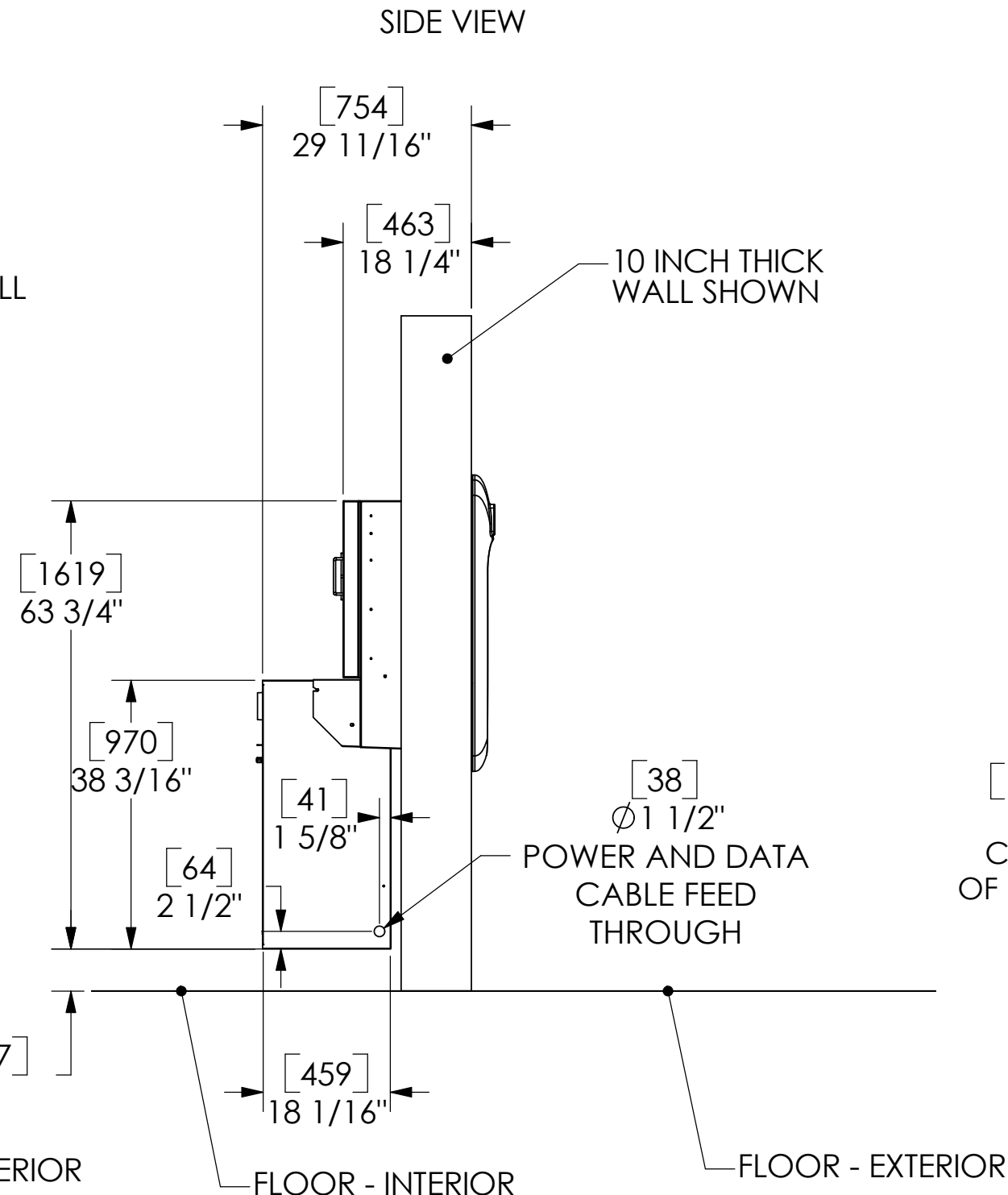
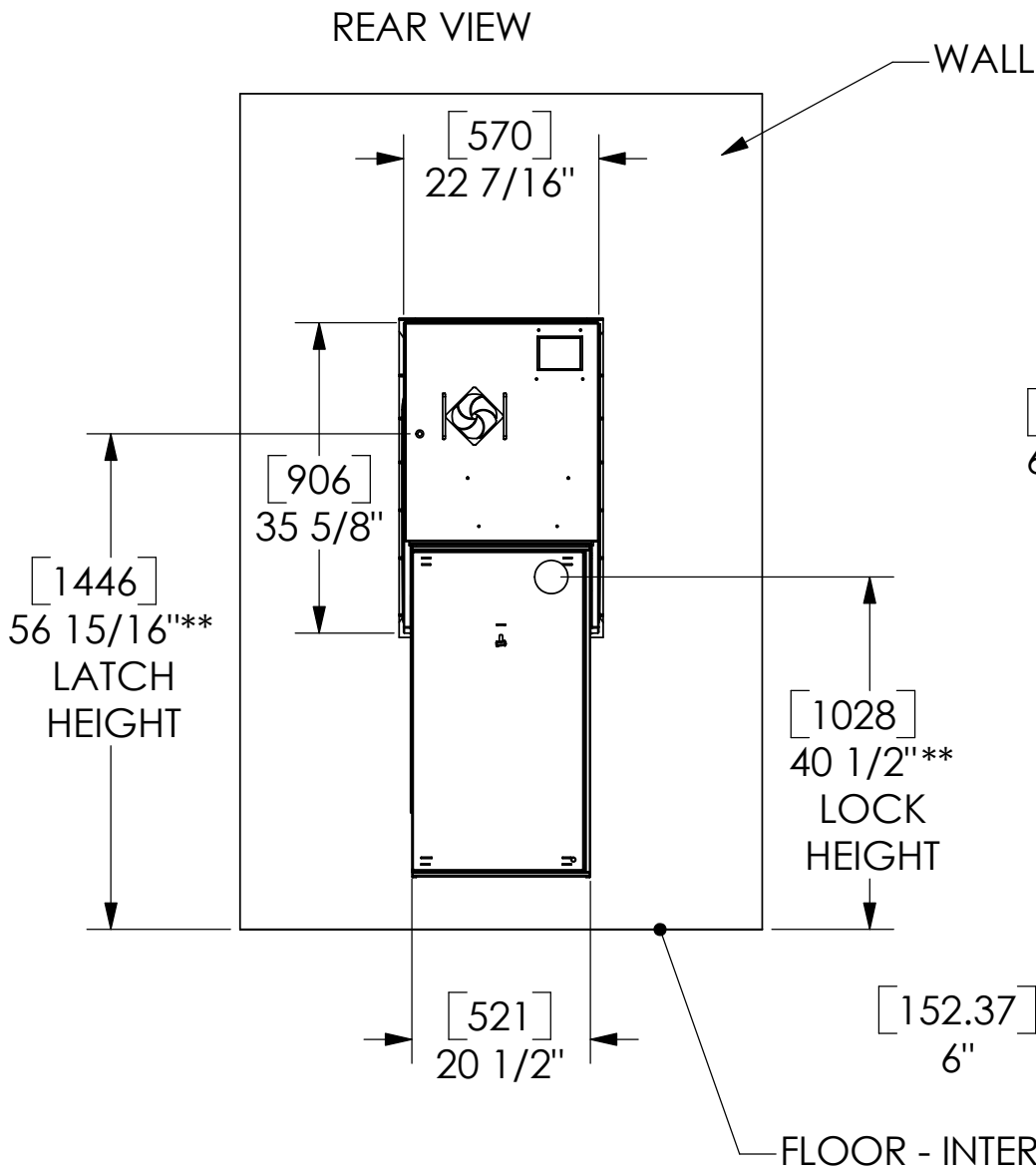
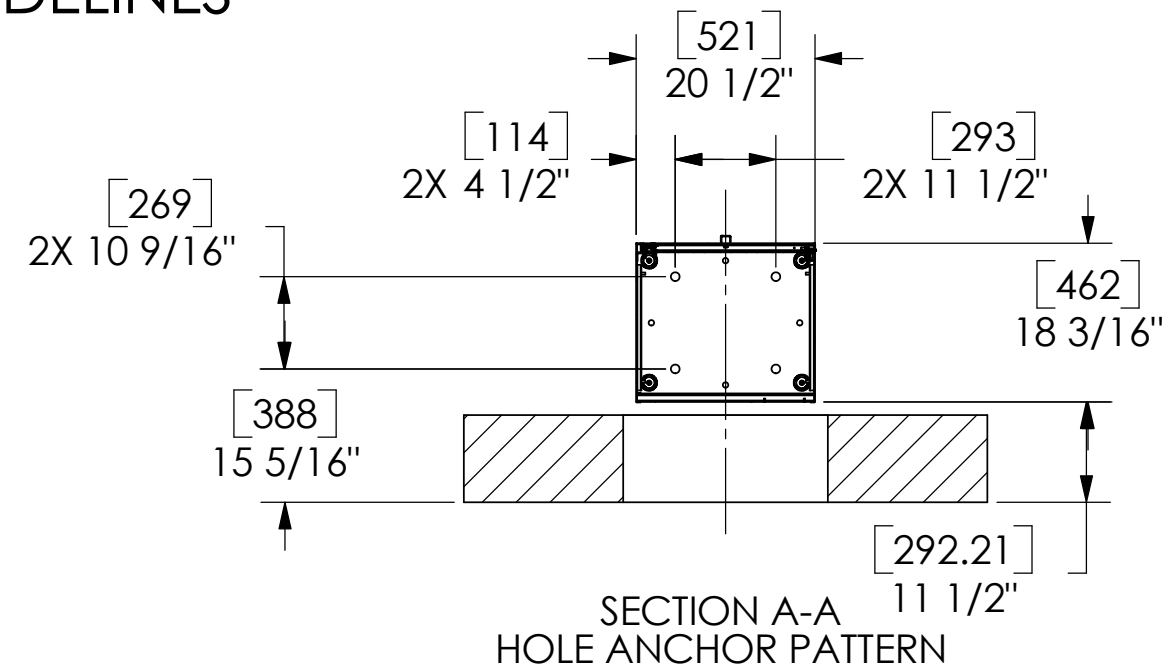




TRITON MODEL RT2000 BUSINESS HOUR CASH DISPENSER US FEDERAL ADA INSTALLATION GUIDELINES

522 EAST RAILROAD STREET
LONG BEACH, MS 39560
PHONE: (228) 868-1317
FAX: (228) 868-0437
DIMENSIONS SHOWN IN INCHES
AND MILLIMETERS [MM]
IN
MAXIMUM WALL THICKNESS
11.5 IN. [279 MM]

*SUBTRACT THICKNESS OF THE WALL TO DETERMINE DISTANCE FROM THE INSIDE WALL TO THE BACK OF CABINET.
**DISTANCE IF INSIDE FLOOR AND OUTSIDE APPROACH ARE THE SAME HEIGHT, 3 INCH AND 6 INCH PLINTHS ARE AVAILABLE.

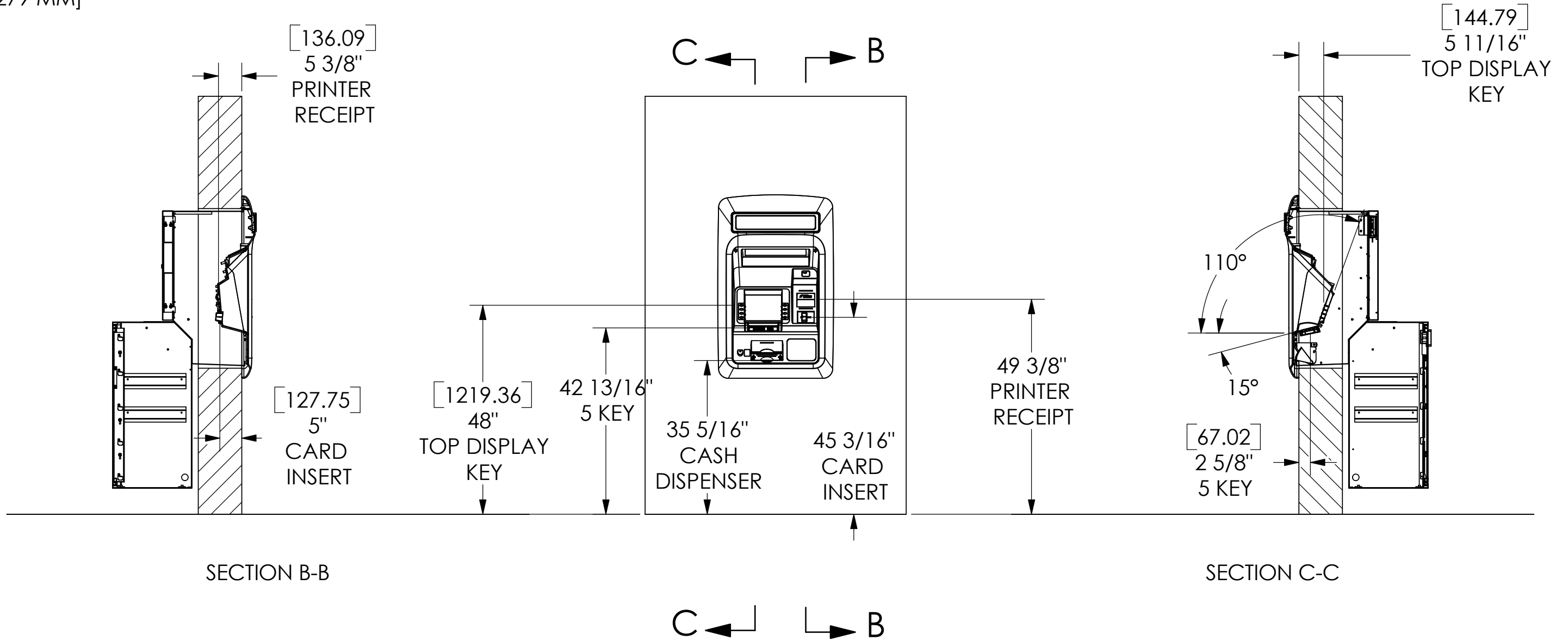


PN: 07600-00031
REV A
RELEASED PER
ECO 101062.
SHEET 3 OF 5
04/23/04

TRITON MODEL RT2000 BUSINESS HOURS CASH DISPENSER US FEDERAL ADA INSTALLATION GUIDELINES

522 EAST RAILROAD STREET
 LONG BEACH, MS 39560
 PHONE: (228) 868-1317
 FAX: (228) 868-0437

DIMENSIONS SHOWN IN INCHES
 AND MILLIMETERS [MM]
 IN
 MAXIMUM WALL THICKNESS
 11.5 IN. [279 MM]



TRITON MODEL RT2000 BUSINESS HOURS CASH DISPENSER US FEDERAL ADA INSTALLATION GUIDELINES

522 EAST RAILROAD STREET
 LONG BEACH, MS 39560
 PHONE: (228) 868-1317
 FAX: (228) 868-0437

DIMENSIONS SHOWN IN INCHES AND
 MILLIMETERS [MM]
 IN
 MAXIMUM WALL THICKNESS 11.5 IN. [279 MM]

*SUBTRACT WALL THICKNESS TO FIND DIMENSION
 TO THE INSIDE SURFACE OF WALL.

 -- INDICATES SERVICE AREA

