



ELECTRONIC LOCK INSTRUCTIONS

(FIELD INSTALLATION GUIDE)

TDN 07103-00180 Feb 27 2009

CORPORATE HEADQUARTERS

522 E. Railroad St.
Long Beach, MS 39560
Phone: (228) 868-1317
Fax: (228) 868-0437

COPYRIGHT NOTICE

© 2008 Delaware Capital Formation, Inc. All Rights Reserved. Triton Systems of Delaware, Inc. is an operating company of Dover Electronics, Inc., a subsidiary of Dover Corporation (NYSE-DOV). DOVER, the DOVER logo and the Dover family of marks and TRITON, the TRITON logo and the Triton family of marks are registered trademarks of Delaware Capital Formation, Inc., a wholly owned subsidiary of Dover Corporation.

ELECTRONIC LOCK INSTRUCTIONS

PURPOSE

This guide covers the steps for installing an electronic lock assembly on all Business Hours and Level 1 (Vault) ATMs (excluding Model 8100). This procedure includes a list of all tools and hardware necessary for the installation as well as the steps involved.

SCOPE

This procedure applies to all service personnel involved in the process of maintaining or converting Triton ATMs.

TOOLS REQUIRED		
#1 and #2 Phillips screwdriver	Flat tip screwdriver	
Needle nose pliers	Adjustable wrench	
7/16" (11mm) and 9/16" (14mm) socket/box wrench		
ELECTRONIC LOCK KIT (P/N 06100-06060)		
PARTS SUPPLIED		
PART NUMBERS	DESCRIPTION	QUANTITY
03624-00017	Lock, CombGard w/Battery Box	1
01300-00003	Battery, 9V	1
02600-00000	Spindle, Brass, 1.02" (26mm) - BH cabinets	1
02600-00001	Spindle, Brass, 2-1/8" (54mm) - Misc	1
02600-00002	Spindle, Brass, 1.7" (43mm) - Lvl1 cabinets	1
02054-00186	Screw, #8-32, 5/8" (16mm) Phillips flat-head	2
03011-01494	Mount Plate, Battery Box	1
02054-00318	Screw, 8-32, 3/8" (9mm), Flat-head w/nylon patch	1
02054-00202	Screw, #6-32,x 1/4" (6mm), Flat-head w/patch	1
02054-00169	Screw, #8-32, 3/8" (9mm), Pan phillips-head w/ext washer	4
03011-01418	Plate, Security, Lock Mechanism, Deadbolt	1
03072-00015	Ty Wrap, 6"	3
03072-00008	Ty Wrap Post, Adhesive Back	3
07103- 00180	Electronic Lock Instructions	1

ELECTRONIC LOCK INSTRUCTIONS

INSTALLATION OF THE ELECTRONIC LOCK ASSEMBLY [BUSINESS HOURS (BH) AND LEVEL 1 (VAULT) CABINET ATMS]

REMOVAL OF MECHANICAL COMBINATION LOCK:

1. Disconnect power to the unit and open the security container door.
2. (For cabinets with T-Handles) Remove the door panel from the rear of the door by first removing the two large Phillips screws (or 9/16" bolts) located in the center of the door panel and the six #8 Phillips screws located at the top and bottom of the door panel.
3. Remove the two (2) screws which attach the deadbolt cover to the deadbolt and remove the cover.
4. Remove the brass shaft key located in the center of the spindle by pulling directly out on it with a pair of pliers (see Figure 1). Unscrew the outer combination dial from the black spindle wheel and remove both the dial and the wheel from the lock assembly.

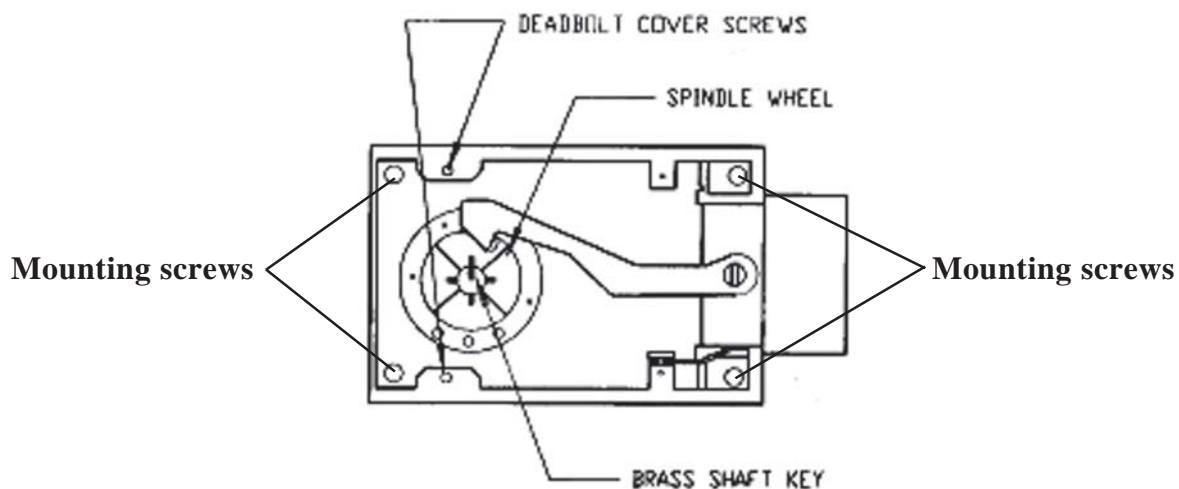


Figure 1. Mechanical lock with cover removed.

5. Remove the four (4) mounting screws which attach the deadbolt assembly to the inside of the door and remove the deadbolt assembly.
6. Remove the two screws which attach the dial plate to the front door and remove the dial plate.
7. To remove the lock on a Level 1 (Vault) cabinet, open the safe and remove the latchwork cover if necessary. Remove the relocker bracket. Move the bolt works to the closed(Locked) position allowing the spring loaded pin to fire. **This will ensure the door cannot be accidentally closed and locked.**

ELECTRONIC LOCK INSTRUCTIONS

INSTALLATION OF THE ELECTRONIC LOCK:

1. For all units, attach the face mounting plate to the outside of the door using the two shoulder screws (or screws with brass sleeves) supplied. Make sure the word "UP" stamped on the front of the face plate is facing up when the mounting holes are positioned vertically (see Figure 2).

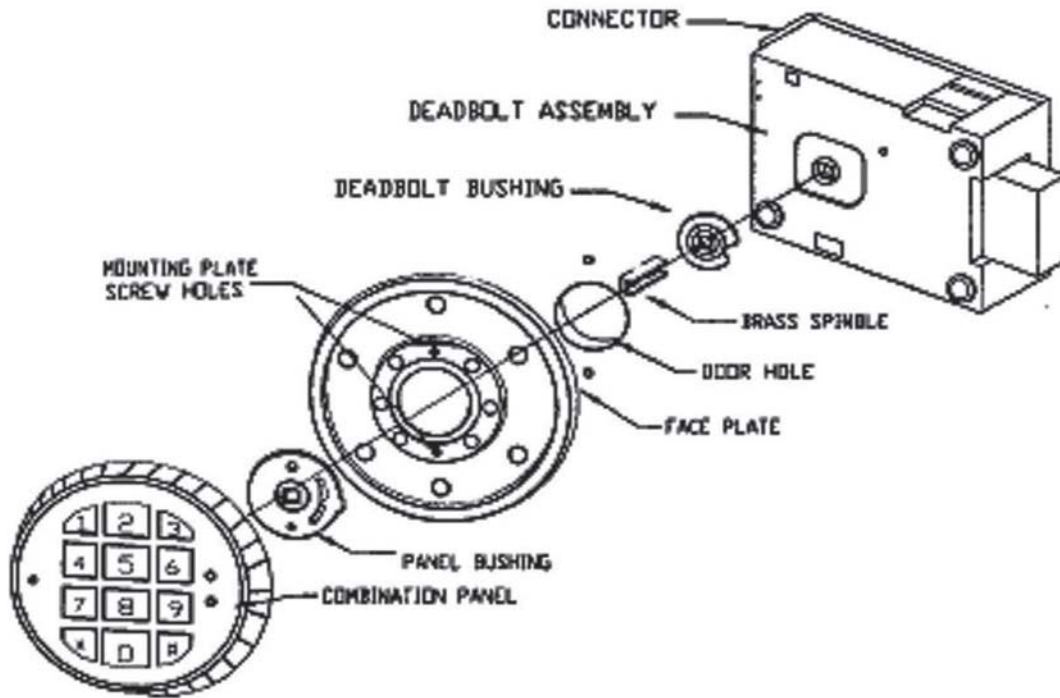
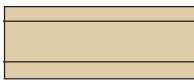


Figure 2. Vertically mounted electronic lock.

2. Three (3) brass lock spindles are supplied with the installation kit. Only one of the brass spindles will be used for the particular cabinet (BH or Lvl 1) which the lock will be installed. To determine which spindle to use, look at the spindle sizes below. The shortest spindle is used on Business Hours cabinets while the middle size is used on Level 1 (Vault) cabinets. Find the matching spindle in the kit and discard the others.

Note: *The longest spindle may be used/modified for cabinet configurations where the other 2 spindles are not applicable.*



P/N 02600-00000



P/N 02600-00002



P/N 02600-00001

ELECTRONIC LOCK INSTRUCTIONS

3. Install the brass spindle into the rear of the combination face plate making sure that the channel in the spindle is aligned with the wire exiting the back of the panel.
4. Install the plastic panel bushing down over the panel connector on the end of the panel wire and down over the spindle. Make sure that the two alignment holes on the bushing mate with the posts on the rear of the combination panel, and the flat side of the bushing is facing the door.
5. Feed the panel lead through the front of the security container door and then insert the combination panel onto the shoulder screws (or screws with brass sleeves) which attach the combination mounting plate to the front of the door. Turn the combination dial “*clockwise*” until the dial stops, then turn the dial “*counterclockwise*” until the numbers are aligned either vertically or horizontally (depending on the model of the cabinet). Refer to Figure 2 for assembly of the lock.
6. Feed the end of the combination panel lead through the center of the second plastic bushing. Make sure the flat side of the bushing is facing the door. Slide the bushing down the spindle so that the channel in the spindle is aligned with the slot in the bushing.
7. Place the deadbolt assembly onto the spindle and attach to the back of the door using the mounting screws supplied. Make sure the combination panel lead exits from the bottom of the lock.
8. Plug the combination panel lead into the top receptacle on the deadbolt connector. Make sure the connection is secure by gently pulling on the wire to make sure it does not disconnect from deadbolt assembly.
9. Open the battery box and install the 9 volt battery. Connect the plug on the end of the battery box lead into the lower receptacle on the deadbolt connector. Again, check to make sure the connection is secure. Recommend clean the back of the door at the area where the battery box will be installed with an alcohol pad, if available. Remove the backing from the tape on the back of the battery box and press the box firmly onto the door. Make sure there is some slack in the battery cable.
10. For Level 1 (Vault) cabinets, a notch is cut in the latchwork cover to allow the battery box to be placed outside the latchwork. Make sure when putting the latchwork cover back onto the unit, that the wire passes through this slot.
11. Attach the tie wrap posts to the back of the door along the length of the battery cable and tie wrap both the battery cable and the combination panel cable to the tie wrap posts. Some units already have tie wrap posts welded to the inside of the door to tie wrap the cables to. Make sure the cables do not interfere with the latchwork. Enter the default combination ‘*1-2-3-4-5-6*’ and turn the combination dial “*clockwise*” to open the lock and then lift/turn the handle. ***Make sure the lock operates properly before shutting the safe door !!!***
12. Install the latchwork cover back onto the door. Make sure to install the relocker mechanism back onto the lock on Level 1 cabinet units before installing the cover.

ELECTRONIC LOCK INSTRUCTIONS

OPERATING THE ELECTRONIC LOCK (LAGARD)

The electronic lock combination consists of six digits. Upon arrival, the combination of the lock should already be preset to **1-2-3-4-5-6**.

ENTERING THE COMBINATION

1. Enter the preset combination and check for proper operation. After each keypress, the lock will beep. After the final digit has been entered, the lock will beep **twice**, and the open period will begin.
2. When a valid combination has been entered, the operator will have approximately **4 seconds** to open the lock.
3. To open the lock, turn the **dial** clockwise.
4. After the lock is opened, the cabinet door may be opened.

LOCKOUT FEATURE

The lock includes a '**Wrong Try Penalty**' lockout feature that prevents entry from unauthorized personnel. This feature performs as follows:

- Entry of four (4) consecutive invalid combinations starts a 5-minute delay period.
 - LED flashes red at ten (10) second intervals.
- At the end of the delay period, two (2) more consecutive invalid combinations will restart an additional 5-minute delay.

CHANGING THE COMBINATION

To change the combination of the lock, simply follow these directions.

1. Enter **six (6) zeros '0'**.
2. Enter the **current** combination (initially set at 1-2-3-4-5-6).
3. Enter the **new** six (6) digit combination **twice**.
 - If a mistake is made, wait thirty (30) seconds and repeat the first 3 steps.
4. Test lock combination several times before closing the door. The combination is now changed.

Valid Code Entry - Double signal after valid six (6) digit code is entered.

Invalid Code Entry - Triple signal and old code is still valid.